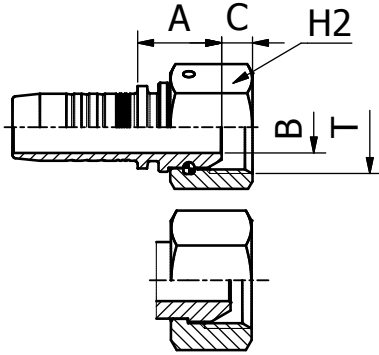


BS STANDARD CONNECTIONS

# M20512/M20513

**BSP FEMALE 60° CONE  
BS5200 / ISO 12151-6**



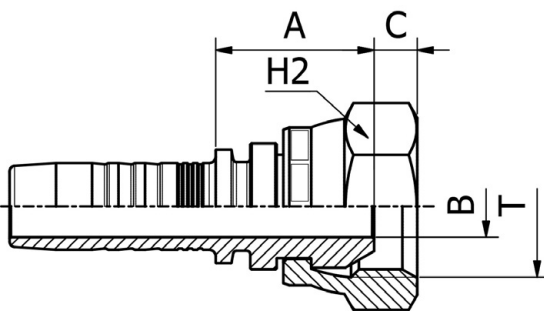
PART. REF.	HOSE BORE			Thread	DIMENSIONS mm			
	DN	Dash	inch		T	B	A	C
M20512-03-02	5	- 3	3/16"	1/8" - 28	3.0	16.0	4.4	14.0
M20512-04-02	6	- 4	1/4"	1/8" - 28	3.1	16.5	4.4	14.0
M20512-05-04	8	- 5	5/16"	1/4" - 19	4.1	17.5	4.2	19.0
M20512-06-04	10	- 6	3/8"	1/4" - 19	4.1	18.0	4.2	19.0
M20512-08-06	12	- 8	1/2"	3/8" - 19	7.1	21.0	6.0	22.0
M20512-08-10	12	- 8	1/2"	5/8" - 14	12.1	22.0	10.2	28.0
M20512-08-12	12	- 8	1/2"	3/4" - 14	15.0	24.5	9.0	32.0
M20512-10-08	16	- 10	5/8"	1/2" - 14	9.8	24.0	6.5	27.0
M20512-10-10	16	- 10	5/8"	5/8" - 14	12.5	21.5	10.2	28.0
M20512-10-12	16	- 10	5/8"	3/4" - 14	15.0	23.0	9.0	32.0
M20512-12-08	19	- 12	3/4"	1/2" - 14	9.8	25.0	6.5	27.0
M20512-12-12	19	- 12	3/4"	3/4" - 14	15.0	24.5	9.0	32.0
M20512-12-16	19	- 12	3/4"	1" - 11	19.8	26.0	10.5	38.0
M20512-16-12	25	- 16	1"	3/4" - 14	15.0	25.5	9.0	32.0
M20512-16-16	25	- 16	1"	1" - 11	19.8	27.5	10.5	38.0
M20513-03-04	5	- 3	3/16"	1/4" - 19	4.0	16.5	5.4	19.0
M20513-04-04	6	- 4	1/4"	1/4" - 19	4.0	17.0	5.4	19.0
M20513-04-06	6	- 4	1/4"	3/8" - 19	7.0	19.0	6.0	22.0
M20513-04-08	6	- 4	1/4"	1/2" - 14	9.5	19.5	6.3	27.0
M20513-05-06	8	- 5	5/16"	3/8" - 19	7.0	19.0	6.0	22.0
M20513-05-08	8	- 5	5/16"	1/2" - 14	9.3	20.5	6.3	27.0
M20513-06-06	10	- 6	3/8"	3/8" - 19	7.0	19.5	6.0	22.0
M20513-06-08	10	- 6	3/8"	1/2" - 14	9.3	20.0	6.3	27.0
M20513-08-08	12	- 8	1/2"	1/2" - 14	9.3	20.5	6.3	27.0

117 FITTINGS

BS STANDARD CONNECTIONS

# M20511KR

**BSP FEMALE 60° CONE  
BS5200 / ISO 12151-6**



PART. REF.	HOSE BORE			Thread	DIMENSIONS mm			
	DN	Dash	inch		T	B	A	C
M20511-04-04KR	6	- 4	1/4"	1/4" - 19	4.0	20.0	5.2	19.0
M20511-06-06KR	10	- 6	3/8"	3/8" - 19	7.0	22.0	6.0	22.0
M20511-08-08KR	12	- 8	1/2"	1/2" - 14	9.3	24.0	6.5	27.0